

Job Name:

System Reference:

Date:

Indoor Unit:



Wireless Remote Controller



### GENERAL FEATURES

- Available sizes: 9, 12, 18 kBtu/h
- Fits between 16" joists spacing
- Stylish, square design panel
- Built-in condensate lift mechanism (19.6")
- Serviceable from the bottom (electrical and flare connections)
- Adjustable fan speeds and vane directions
- Washable antibacterial and deodorizing filter
- Multiple control options available:
  - Hand-held Remote Controller (provided with unit)
  - kumo cloud® smart device app for remote access
  - Third-party interface options
  - Wired or wireless controllers
- Pocket inside the access panel for kumo cloud® Wireless Interface

## SPECIFICATIONS: MLZ-KP09NA

Cooling Capacity <sup>1, 3</sup>		Btu/h	9,000
Heating Capacity <sup>2, 3</sup>		Btu/h	12,000
Electrical	Voltage, Phase, Frequency		208 / 230V, 1-phase, 60 Hz
	Guaranteed Voltage Range		V AC 198 – 253
	Voltage: Indoor - Outdoor, S1-S2		V AC 208 / 230
	Voltage: Indoor - Outdoor, S2-S3		V DC 24
	Voltage: Indoor - Remote Controller		Wireless Type
MCA		A	1
Fan Motor Full Load Amperage		A	0.68
Fan Motor Output		W	30
Airflow Rate, Dry, Cooling		CFM	212-254-282-311
Airflow Rate, Dry, Heating		CFM	212-247-290-325
External Static Pressure		in. WG	-
Sound Pressure Level Cooling		dB(A)	27-31-34-38
Sound Pressure Level Heating		dB(A)	26-29-34-37
Drain Pipe Size		In. (mm)	Ø1 (26mm)
Condensate Lift Mechanism, Max. Distance		In. (mm)	19-11/16 (500)
Heat Exchanger Type		Plate fin coil	
Unit // Grille External Finish Color		White // No. 4.0GY 9.1/0.2	
Unit Dimensions // Grille Dimensions		W: In. (mm)	43-3/8 (1,102) // 47-1/4 (1,200)
		D: In. (mm)	14-3/16 (360) // 16-11/16 (424)
		H: In. (mm)	7-5/16 (185) // 15/16 + 1/2 (24 + 12.7)
Package Unit Dimensions // Package Grille Dimensions		W: In. (mm)	46 - 5/16 (1,177) // 50 (1,270)
		D: In. (mm)	15-3/4 (400) // 18-14/16 (479)
		H: In. (mm)	11 (279) // 4-3/4 (121)
Unit Weight // Grille Weight		Lbs. (kg)	34 (15) // 8 (3.5)
Package Unit Weight // Package Grille Weight		Lbs. (kg)	41 (18) // 10.8 (5)
Refrigerant Type		R410A	
Piping	Gas Pipe Size O.D. (Flared)	In. (mm)	3/8 (9.52)
	Liquid Pipe Size O.D. (Flared)	In. (mm)	1/4 (6.35)

**Notes:**

Nominal Conditions	<sup>1</sup> Cooling (Indoor // Outdoor)	°F	80 DB, 67 WB // 95 DB, 75 WB
	<sup>2</sup> Heating at 47°F (Indoor // Outdoor)	°F	70 DB, 60 WB // 47 DB, 43 WB

<sup>3</sup>Capacity varies based on the number of indoor units operating and the model of the Multi-zone Outdoor Unit. For reference to connected capacity charts, please refer Multi-zone Outdoor Unit Operational Performance.

## ACCESSORIES: MLZ-KP09NA

Grille (required)	□ MLP-444W
Anti-allergy Enzyme Filter	□ MAC-408FT-E
Backlit, Wall-mounted, Wireless Controller	□ MHK1
Portable Central Controller	□ MCCH1
Wired MA Controller <sup>1</sup>	□ PAR-33MAA
Simple MA Controller <sup>1</sup>	□ PAC-YT53CRAU
Touch MA Controller <sup>1</sup>	□ PAR-CT01MAU-SB
Wired Remote Sensor	□ M21-EAA-307
Wireless Temperature and Humidity Sensor	□ PAC-USWHS003-TH-1
Outside Air Sensor for MHK1	□ MOS1
System Control Interface <sup>2</sup>	□ MAC-333IF-E
External Fan / Heater Control Relay Adapter	□ CN24RELAY-KIT-CM3
Wireless Interface	□ PAC-USWHS002-WF-1
Thermostat Interface	□ PAC-US444CN-1
kumo station <sup>®</sup>	□ PAC-WHS01HC-E
USNAP Interface	□ PAC-WHS01UP-E
IT Extender	□ PAC-WHS01IE-E
BACnet <sup>®</sup> and MODBUS <sup>®</sup> Interface	□ PAC-UKPRC001-CN-1
External Fan / Heater Control Relay Adapter	□ CN24RELAY-KIT-CM3
Lockdown Bracket for Hand-held Remote Controllers	□ RCMKP1CB
MegaBlue Advanced Blue Diamond Condensate Pump w/ Reservoir & Sensor	□ X87-835 - 110 to 250V
MaxiBlue Advanced Blue Diamond Mini Condensate Pump w/ Reservoir & Sensor (110V) up to 48,000 Btu/h [recommended]	□ X87-711 - 110V
Advanced Blue Diamond Mini Condensate Pump w/ Reservoir & Sensor (208/230V) [recommended]	□ X87-721 - 208/230V
MicroBlue Blue Diamond Mini Condensate Pump (110/208/230V) up to 18,000 Btu/h	□ X85-003
Fascia Kit for MicroBlue Pump – mounts the MicroBlue and sensor directly beneath the indoor unit	□ T18-016
Drain Pan Level Sensor	□ DPLS2
(30A/600V/UL) [fits 2" X 4" utility box] - Black	□ TAZ-MS303
(30A/600V/UL) [fits 2" X 4" utility box] - White	□ TAZ-MS303W

<sup>1</sup> Requires MAC-333IF-E

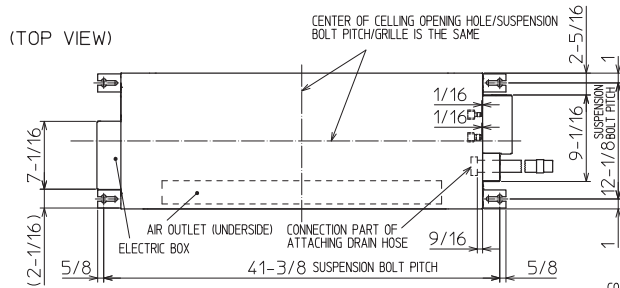
<sup>2</sup> Allows indoor units to connect to an MA Controller

# DIMENSIONS: MLZ-KP09NA

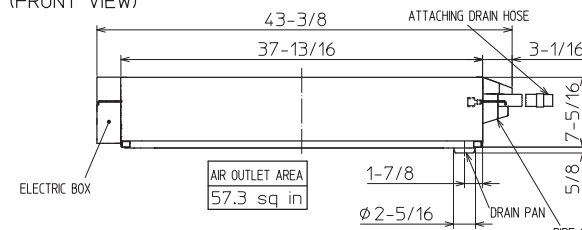
**Unit: inch**

## INDOOR UNIT OUTLINE DRAWING

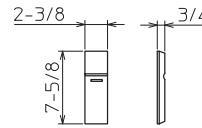
(TOP VIEW)



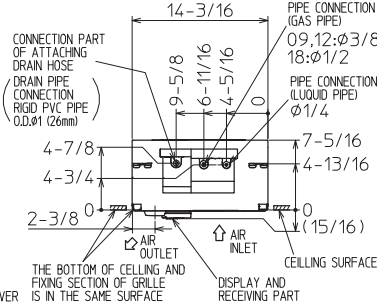
(FRONT VIEW)



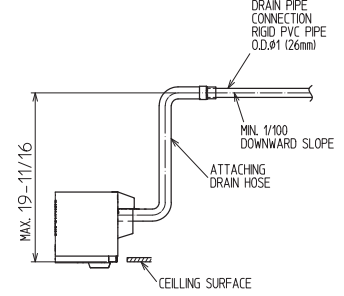
## REMOTE CONTROLLER OUTLINE DRAWING



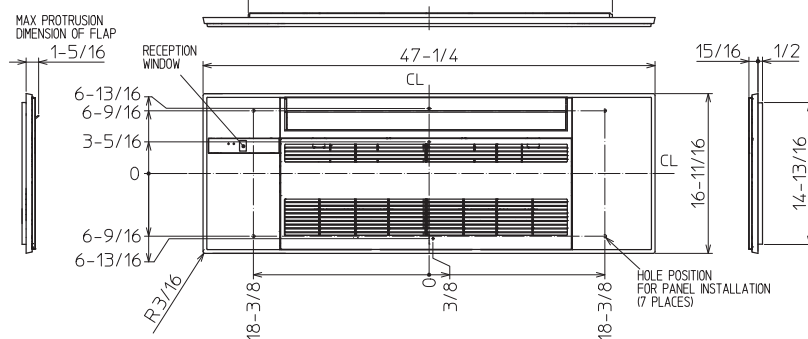
(RIGHT SIDE VIEW)



THE METHOD FOR STANDING DRAIN FROM INDOOR UNIT  
 ※ CUT THE DRAIN HOSE (ACCESSORY) FOR USE, IF NECESSARY.



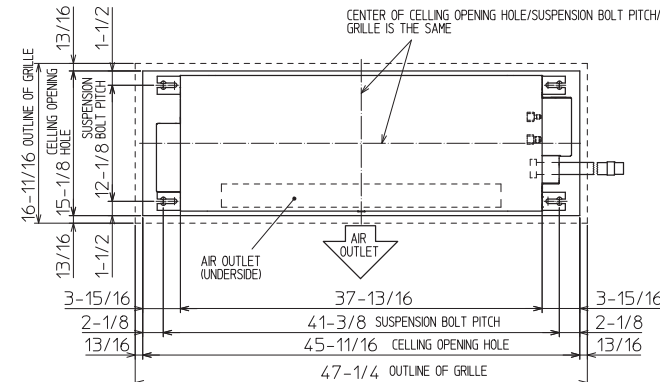
## GRILLE OUTLINE DRAWING (MLP-444W)



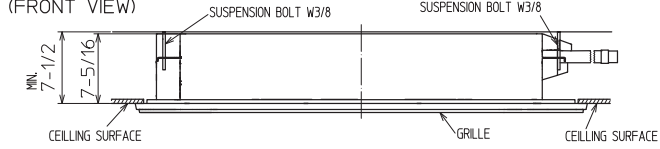
		09/12 kBtu/h	18 kBtu/h
EXTENSION PIPE	LIQUID PIPE O.D.	φ1/4	
	GAS PIPE O.D.	φ3/8	φ1/2
CONNECTING OF PIPE	LIQUID PIPE	FLARED CONNECTION φ1/4	
	GAS PIPE	FLARED CONNECTION φ3/8	FLARED CONNECTION φ1/2
DRAIN HOSE	HEAT INSULATOR O.D.	CONNECTION I.D.	EFFECTIVE LENGTH
DRAIN PIPE CONNECTION	φ1-1/4	φ1	18-7/8
DRAIN PIPE CONNECTION		RIGID PVC PIPE O.D. φ1 (26mm)	

NOTE1. CUT THE DRAIN HOSE (ACCESSORY) FOR USE, IF NECESSARY.

## INDOOR UNIT DETAIL VIEW (TOP VIEW)



(FRONT VIEW)



1340 Satellite Boulevard, Suwanee, GA 30024  
 Toll Free: 800-433-4822 www.mehvac.com

FORM# MLZ-KP09NA FOR MXZ-C MULTI-ZONE HEAT-PUMP SYSTEMS - 201902Ver2



Specifications are subject to change without notice.

© 2019 Mitsubishi Electric Trane HVAC US LLC. All rights reserved.